

## Modular Cooking Range Line 900XP One Well Gas Tube Fryer 23 liter

ITEM # \_\_\_\_\_

MODEL # \_\_\_\_\_

NAME # \_\_\_\_\_

SIS # \_\_\_\_\_

AIA # \_\_\_\_\_


**391084 (E9FRGD1JFT0)**

23-lt gas tube Fryer with 1 well, 2 half size baskets and lid included

### Short Form Specification

#### Item No.

High efficiency 19 kW burners in stainless steel. Gas tubes (heat exchangers) inside well. Suitable for natural gas or LPG. Oil drains through a tap into a container positioned under the well. Height adjustable feet in stainless steel. Exterior panels in stainless steel. Worktop in 20/10, stainless steel. Right angled side edges eliminate gaps and possible dirt traps between units.

### Main Features

- Thermostatic regulation of oil temperature from 110 °C up to a maximum of 190 °C.
- Flame failure device on each burner.
- Overheat protection thermostat as standard on all units.
- Oil drains through a tap into a drainage container positioned under the well.
- All major compartments located in front of unit for ease of maintenance.
- Piezo spark ignition for added safety.
- The special design of the control knob system guarantees against water infiltration.
- Unit delivered with four 50 mm legs in stainless steel as standard (all round Stainless steel kick plates as option).
- Supplied as standard with 2 half size baskets and 1 right side door for cupboard.
- Ideal for frying breaded, battered or floured foods in general.
- Tube burners located inside the well avoid food particles burning or spoiling the oil, reducing its usability for fast heat up and quick temperature recovery during the cooking.
- Gas appliance supplied for use with natural or LPG gas, conversion jets supplied as standard.
- Optional portable oil quality monitoring tool (code 9B8081) for efficient oil management.

### Construction

- Unit is 930 mm deep to give a larger working surface area.
- All exterior panels in Stainless Steel with Scotch Brite finishing.
- Model has right-angled side edges to allow flush fitting joints between units, eliminating gaps and possible dirt traps.
- Interior of well with rounded corners for ease of cleaning.
- One piece pressed 1.5 mm work top in Stainless steel.
- IPX5 water resistance certification.

### Sustainability



- This model is compliant with Swiss Energy Efficiency Ordinance (730.02).

### Included Accessories

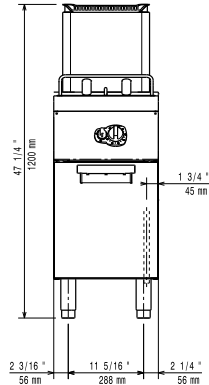
- 1 of Door for open base cupboard PNC 206350
- 1 of 2 half size baskets PNC 927223 for 18/23 lt fryers

### Optional Accessories

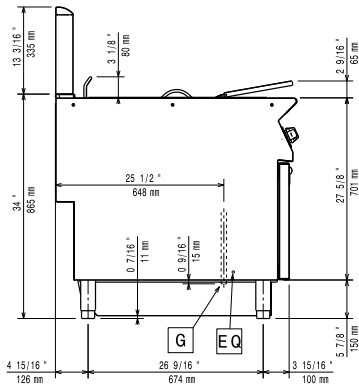
APPROVAL: \_\_\_\_\_

• Lid for oil container for 23 l Fryers	PNC 200171	<input type="checkbox"/>	• Rear paneling - 1000mm (700/900)	PNC 206375	<input type="checkbox"/>
• Junction sealing kit	PNC 206086	<input type="checkbox"/>	• Rear paneling - 1200mm (700/900)	PNC 206376	<input type="checkbox"/>
• Draught diverter, 120 mm diameter	PNC 206126	<input type="checkbox"/>	• 2 side covering panels for free standing appliances	PNC 216134	<input type="checkbox"/>
• Matching ring for flue condenser, 120 mm diameter	PNC 206127	<input type="checkbox"/>	• 2 half size baskets for 18/23 lt fryers	PNC 927223	<input type="checkbox"/>
• Flanged feet kit	PNC 206136	<input type="checkbox"/>	• Pressure regulator for gas units	PNC 927225	<input type="checkbox"/>
• Frontal kicking strip for concrete installation, 400mm	PNC 206147	<input type="checkbox"/>	• 1 full size basket for 18/23 lt fryers	PNC 927226	<input type="checkbox"/>
• Frontal kicking strip for concrete installation, 800mm	PNC 206148	<input type="checkbox"/>	• Unclogging rod for 23lt fryers drainage pipe	PNC 927227	<input type="checkbox"/>
• Frontal kicking strip for concrete installation, 1000mm	PNC 206150	<input type="checkbox"/>			
• Frontal kicking strip for concrete installation, 1200mm	PNC 206151	<input type="checkbox"/>			
• Frontal kicking strip for concrete installation, 1600mm	PNC 206152	<input type="checkbox"/>			
• Pair of side kicking strips for concrete installation	PNC 206157	<input type="checkbox"/>			
• Frontal kicking strip, 400mm (not for refr-freezer base)	PNC 206175	<input type="checkbox"/>			
• Frontal kicking strip, 800mm (not for refr-freezer base)	PNC 206176	<input type="checkbox"/>			
• Frontal kicking strip, 1000mm (not for refr-freezer base)	PNC 206177	<input type="checkbox"/>			
• Frontal kicking strip, 1200mm (not for refr-freezer base)	PNC 206178	<input type="checkbox"/>			
• Frontal kicking strip, 1600mm (not for refr-freezer base)	PNC 206179	<input type="checkbox"/>			
• Pair of side kicking strips (not for refr-freezer base)	PNC 206180	<input type="checkbox"/>			
• 2 panels for service duct for single installation	PNC 206181	<input type="checkbox"/>			
• Hygienic lid for 23lt fryers	PNC 206201	<input type="checkbox"/>			
• 2 panels for service duct for back to back installation	PNC 206202	<input type="checkbox"/>			
• Frontal kicking strip for 23lt fryers in two parts	PNC 206203	<input type="checkbox"/>			
• Extension pipe for oil drainage for fryers	PNC 206209	<input type="checkbox"/>			
• Kit 4 feet for concrete installation (not for 900 line free standing grill)	PNC 206210	<input type="checkbox"/>			
• Chimney upstand, 400mm	PNC 206303	<input type="checkbox"/>			
• Back handrail 800 mm	PNC 206308	<input type="checkbox"/>			
• Back handrail 1200 mm	PNC 206309	<input type="checkbox"/>			
• Flue condenser for 1/2 module, 120 mm diameter	PNC 206310	<input type="checkbox"/>			
• Door for open base cupboard	PNC 206350	<input type="checkbox"/>			
• Filter (inox) for fryer oil collection basin for 18lt, 23lt free standing fryers (without oil recirculation pump)	PNC 206359	<input type="checkbox"/>			
• Base support for feet or wheels (lateral) for 23lt fryers, pasta cookers and refrigerated bases (900XP)	PNC 206372	<input type="checkbox"/>			
• Rear paneling - 600mm (700/900XP)	PNC 206373	<input type="checkbox"/>			
• Rear paneling - 800mm (700/900)	PNC 206374	<input type="checkbox"/>			

Front

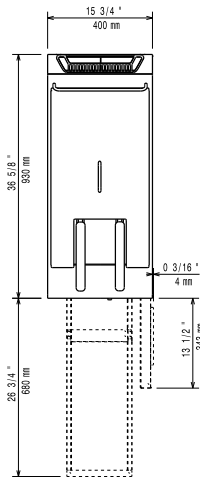


Side



EQ = Equipotential screw  
 G = Gas connection

Top



### Gas

<b>Gas Power:</b>	391084 (E9FRGD1JFT0)	19 kW
<b>Standard gas delivery:</b>		Natural Gas G20 (20mbar)
<b>Gas Type Option:</b>		LPG; Natural Gas
<b>Gas Inlet:</b>		1/2"

### Key Information:

<b>Usable well dimensions (width):</b>	350 mm
<b>Usable well dimensions (height):</b>	365 mm
<b>Usable well dimensions (depth):</b>	400 mm
<b>Well capacity:</b>	21 lt MIN; 23 lt MAX
<b>Thermostat Range:</b>	110 °C MIN; 190 °C MAX
<b>Net weight:</b>	65 kg
<b>Shipping weight:</b>	74 kg
<b>Shipping height:</b>	1350 mm
<b>Shipping width:</b>	460 mm
<b>Shipping depth:</b>	1020 mm
<b>Shipping volume:</b>	0.63 m <sup>3</sup>
<b>Certification group:</b>	N9FG2

If appliance is set up or next to or against temperature sensitive furniture or similar, a safety gap of approximately 150 mm should be maintained or some form of heat insulation fitted.